

# Tronics S1000

## Intelligent Modular Labeller

Fully Synchronised & Economical Labeller with Proven Technology by Tronics

# TRONICS®

A DIVISION OF ALDUS

### Innovative Design

The innovative design of the S1000 means that you can now benefit from a full specification Tronics labelling system even on a limited budget. The S1000 utilises Tronics' stepper motor driven label head that has proved its accuracy and reliability in thousands of applications across many industries internationally.

### Built To Last

Our modular construction allows simple re-configuration of the labeller to suit the needs of a huge variety of labelling applications and also means that the S1000 can grow with the needs of your business into a more advanced configuration in the future if required. This makes the S1000 an ideal choice for your first labeller.

### Easy To Use

A multi-line LCD and simple touch panel controls provide the operator with easy set-up of job parameters and the inclusion of hardware for X-Y and Head Tilt adjustments mean that fine tuning for the best label presentation is a simple process.

### Control Panel

Be up and running in minutes and easily make adjustments on the fly with our user friendly control panel that puts full labelling functionality at your fingertips.

### Flat Pack Delivery

The Tronics S1000 will be delivered in flat pack form to keep your freight costs to a minimum. Every unit comes with a tool kit, assembly DVD and full instruction manual to guide you through the simple build process, or you can have one of our technicians do the job for you.

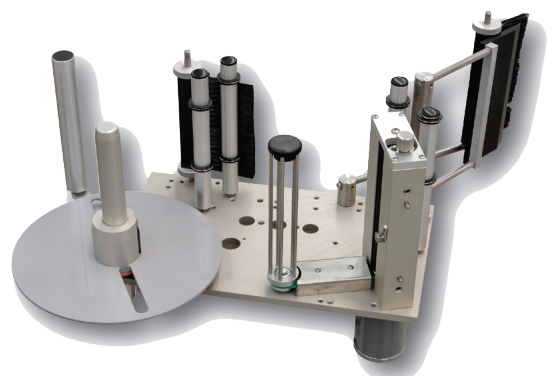


### Maximum Portability

The S1000 is fully contained and comes complete with heavy duty castors, to make moving it around your facility a breeze. This portability and flexibility makes it the ideal choice for promotional or seasonal work.

### Labelling Head

Tronics versatile labelling head is built for durability and driven by a stepper motor for maximum accuracy. Label sizes can range from 15mm to 215mm in height and 20mm to 999mm in length. X-Y and tilt adjustments give maximum adaptability to a huge variety of labelling jobs.



# Tronics S1000 Intelligent Modular Labeller

Fully Synchronised & Economical Labeller with  
Proven Technology by Tronics

# TRONICS®

A DIVISION OF  ALDUS

## Voltage

220 50/60 Hz, 1 Phase

## Power

400VA

## Dispensing Speed

Maximum: 30m/min

Minimum: 5m/min

## Label Specifications

Label Reel Core Size: 76mm inside diameter

Label Reel Outside Diameter: 335mm max

Label Size Vertical: 15mm-215mm

Label Size Horizontal: 20mm-999mm

Label Gap Size: 2.5mm minimum

Label Stop Accuracy: +/- 0.5mm  
(on dispensing edge)

Right and Left Labelling Heads

## Mechanical Adjustments

Height Adjustment side: 870mm-1185mm

Height Adjustment Overhead: 900mm-1050mm

Horizontal Adjustment: 0mm-150mm

Tilt Adjustment: +/- 8 degrees

## Standard Features

Large LCD for ease of use

Simple membrane keyboard

100 job memory

Missing label detection

Product counter

Labelling throughput display

Extruded aluminium frame

## Options

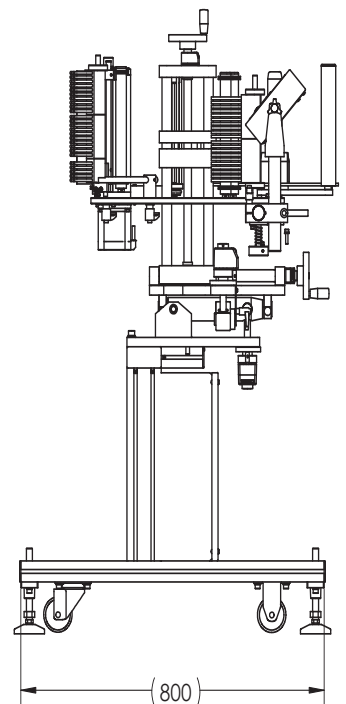
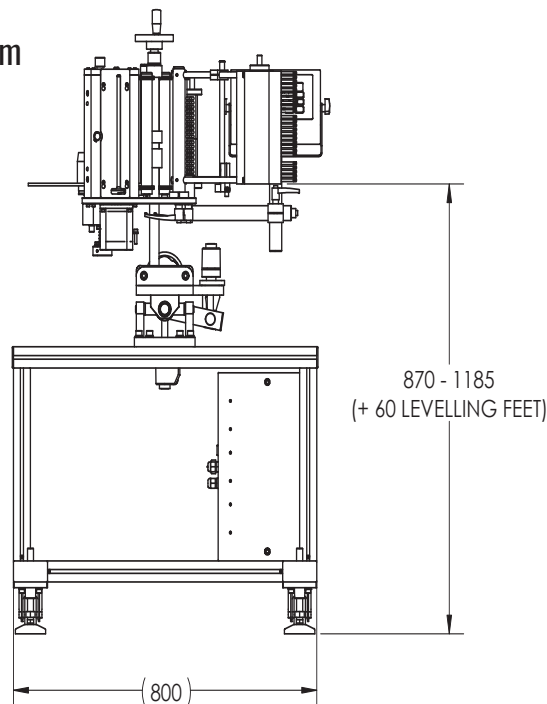
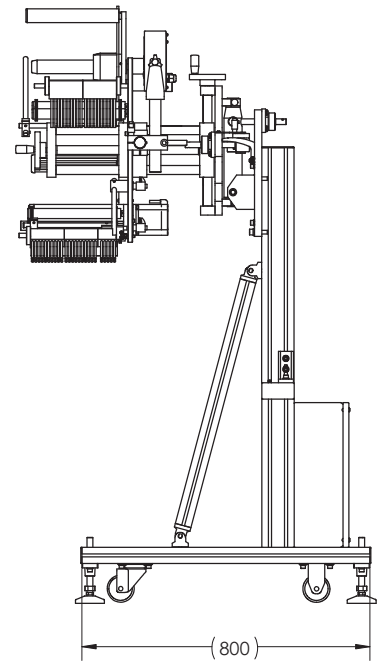
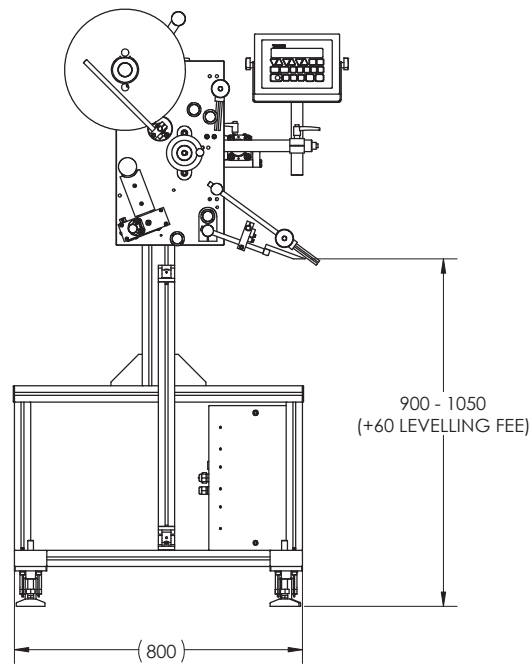
Encoder for variable speed

Low label reel detection sensor

Configurable signal pulse to activate a hotfoil coder, thermal  
print head of inkjet printer

Warning beacon

Overhead mounting bracket



Tronics Pty Ltd

1 Rhodes Street, West Ryde NSW 2114 Australia  
1300 018 330 | sales@aldustronics.com.au

\*All dimensions in mm

WWW.TRONICS.COM.AU

100% DESIGNED & MADE IN AUSTRALIA

2021 02 22\_v1